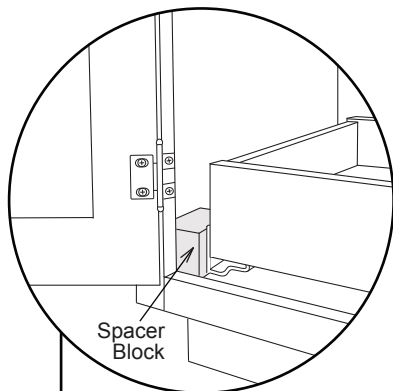
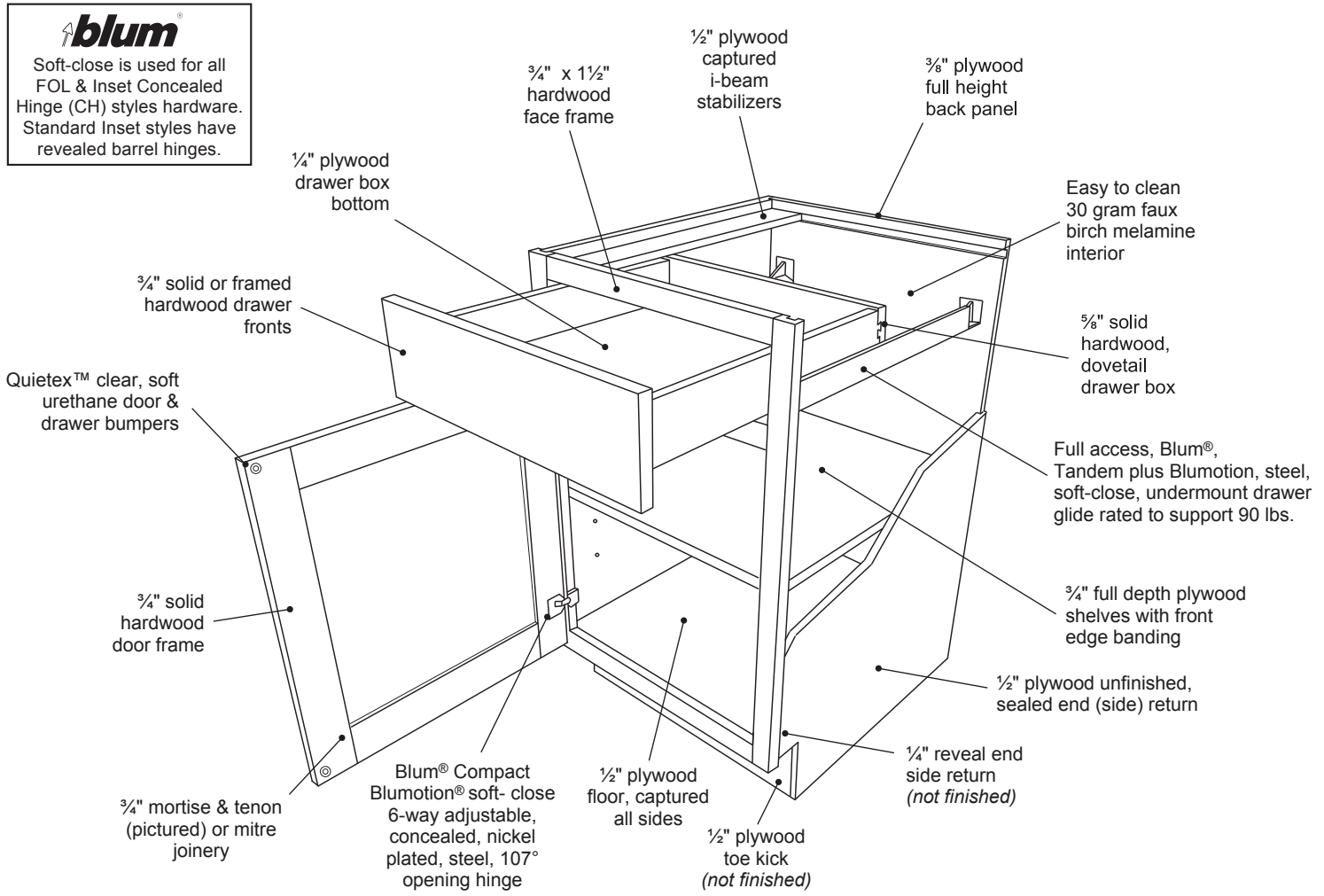


# Standard Cabinet Construction

Wall, Base, and Utility cabinets are constructed using high quality materials and hardware. The illustration below identifies the components of a standard Base cabinet. Wall and Utility cabinets have similar construction. Please refer to Construction Notes below outlining differences.



## Roll-Out Tray (ROT) for Inset & FOL ROT Hinge Placement

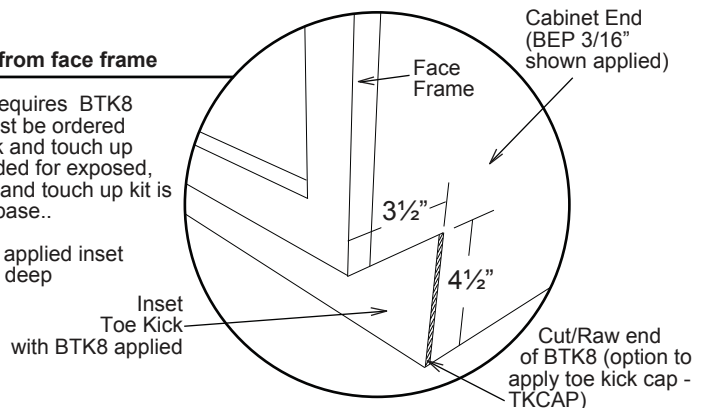
The Roll-Out Trays for Inset (revealed hinge illustrated above) cabinets will have 'spacer' blocks inserted between the ROT and cabinet, for each side. This allows for full access of ROT without interference from the door (Inset Style) and hinge (FOL Style). The ROT-B and ROT-C (concealed inset hinge) are narrower than ROT-A.

**FACTORY  
INSTALLED**

## Toe Kick - Inset area from face frame

Toe kick construction requires BTK8 matching toe kick—must be ordered separately. Putty stick and touch up marker are recommended for exposed, cut, raw ends of BTK8 and touch up kit is included in every sink base..

NOTE: When BTK8 is applied inset toe kick area is 3 5/16" deep



## Construction Notes

- Wall & Utility cabinets have 1/2" plywood top and bottom
- Tops/Bottoms of cabinets unfinished plywood visible
- All cabinets 16-24" in depth feature plastic polymer locking shelf clips
- Wall cabinets feature decorative metal shelf rests
- All cabinets 9" - 21" wide have one door
- All cabinets 24" - 36" wide have two BUTT doors
- Cabinets 42" and wider have 3" center stile
- Recessed panel Drawer Base cabinets have 1/2" solid wood center panels